

Micron Side Mount Sand Filter

WATERCO
Water, the Liquid of Life



Why is filtration needed?

Suspended (undissolved) solids in your pool water contribute to its cloudy appearance. By filtering these undissolved solids from the water, the clarity increases and the cloudiness decreases.

How does a sand filter work?

Sand filters work by passing pool water through a specially selected and graded sand. As the dirt and debris is trapped in the sand bed the filter's straining capacity is enhanced. It is this feature of a sand filter that makes it so effective and so widely used.

Micron Side Mount Sand Filter

Technologically Advanced Fibreglass Filters

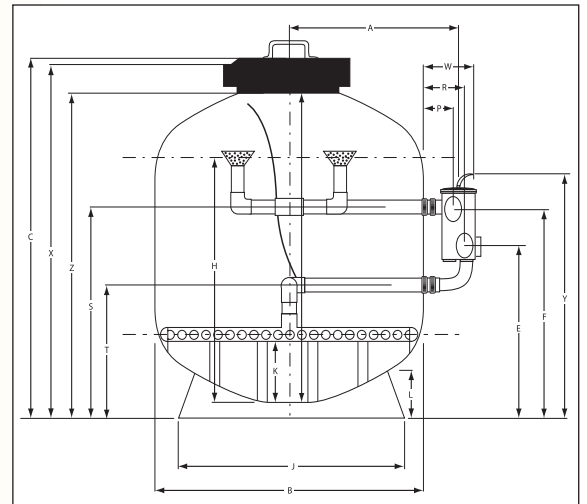
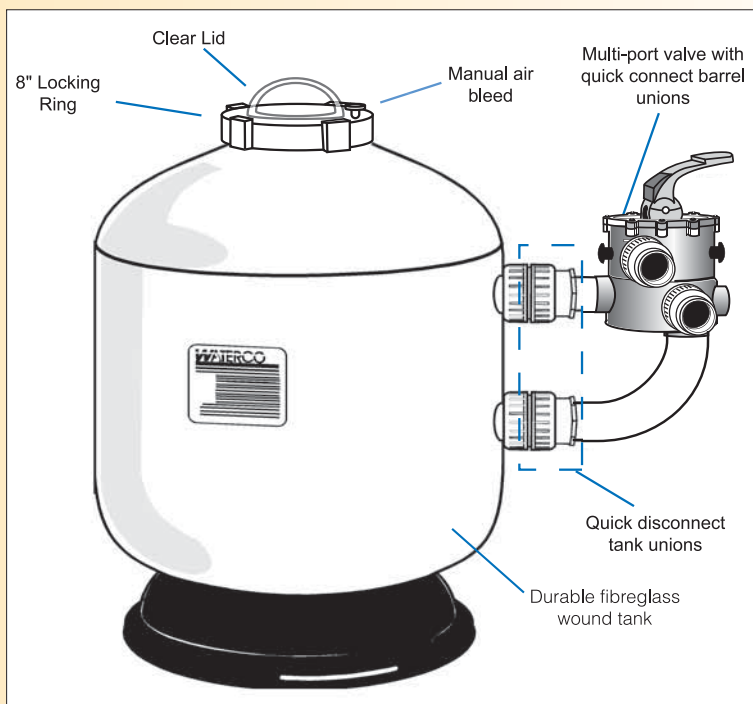
Waterco fibreglass filters embody the latest in fibreglass winding technology. Waterco's digitally controlled filament winding machine faultlessly winds continuous strands of fibreglass filament to create a filter vessel with refined consistency and superior quality. The use of corrosion-resistant, abrasion proof and state-of-the-art fabrication techniques has produced a filter that is able to stand up to environmental extremes.

Proven Durability

Waterco fibreglass filters are perfectly suited to the constant increases and decreases in pressure experienced by sand filters. Accelerated cyclic testing has shown that even after simulating 20 years of use, Waterco fibreglass filters withstood cyclic wear and tear better than most other filters in its class.

Warranty

Waterco is proud to show its ultimate confidence in its range of Micron fibreglass filters by offering a 10 year full tank warranty for residential installations and a 5 year (1 year full, 4 year pro rata) tank warranty for commercial installations.



Model No.	Inner Diameter (mm)	Filter Area (m ²)	Media Volume (litre)	Sand 16/30 (Kg)	Zeoplus 1 - 2.2 (Kg)	Bed Depth (mm)	Valve Size (mm)	Residential		Commercial
								Max. Flow (lpm)	Max. Pool Size (litres)	Max. Flow (lpm)
SM500	500	0.20	62	90	74	290	40	157	56,549	118
SM600	600	0.28	96	140	115	360	40	226	81,430	170
SM700	700	0.38	130	190	156	380	40	308	110,835	231
SM750	750	0.44	144	210	173	400	50	353	127,235	265
SM800	800	0.50	178	260	214	410	50	402	144,765	302
SM900	900	0.64	247	463	381	440	50	509	183,218	382

* Flow rate is limited by the port size, max flow for 50mm is 510 lpm, max flow for 80mm is 1080 lpm and max flow for 100mm is 1800 lpm.
1. Residential 48m³/hr/m², max. pool size is based on a 6 hr turnover. 2. Commercial 36m³/hr/m², max. pool size is based on a 4 hr turnover.

Filter Model	SM500	SM600	SM700	SM750	SM800	SM900
A	464	518	565	587	615	667
B	520	622	719	772	821	923
C	815	880	948	993	1013	1115
W	310	310	321	321	321	321
R	215	215	248	248	248	248
P	153	153	178	178	178	178
E	594	629	520	593	560	656
F	649	684	601	674	641	737
K	100	105	120	113	127	113
V	652	680	728	763	790	860
H	585	601	685	652	747	750
L	70	88	90	120	90	120
X	743	804	905	914	970	1030
Y	790	825	750	823	790	886
Z	715	778	835	892	900	1011
J	445	540	620	678	620	678
S	485	520	520	593	560	656
T	282	317	317	390	357	453

OFFICES - AUSTRALIA
NSW (Head Office)
Sydney
Tel: +61 2 9898 8600
Fax: +61 2 9898 1877
QLD - Brisbane
Tel: +61 7 3299 9900
Fax: +61 7 3299 9911
VIC/TAS - Melbourne
Tel: +61 3 9879 5141
Fax: +61 3 9879 5143
WA - Perth
Tel: +61 8 9273 1900
Fax: +61 8 9273 1999

SA/NT - Adelaide
Tel: +61 8 8244 6000
Fax: +61 8 8244 6011
ACT Distribution
Tel: +61 2 6280 6476
Fax: +61 2 6239 1395
OFFICES - OVERSEAS
Waterco USA Inc
Phoenix, AZ
Tel: +1 623 434 4703
Fax: +1 623 434 4704
Augusta, GA
Tel: +1 706 793 7291
Fax: +1 706 790 5688

Waterco Canada Inc
Tel: +450 796 4333
Fax: +450 796 4365
Waterco (Europe) Ltd
Tel: +44 (0) 1795 521 733
Fax: +44 (0) 1795 522 085
Waterco (NZ) Limited
Tel: +64 9 525 7570
Fax: +64 9 525 6580
Waterco (Guangzhou) Ltd
Tel: +8620 8335 1107
Fax: +8620 8335 1114

Waterco (Far East) Sdn. Bhd.
Tel: +60 3 6250 8169
Fax: +60 3 6250 8175

www.waterco.com

DISTRIBUTED BY:

